

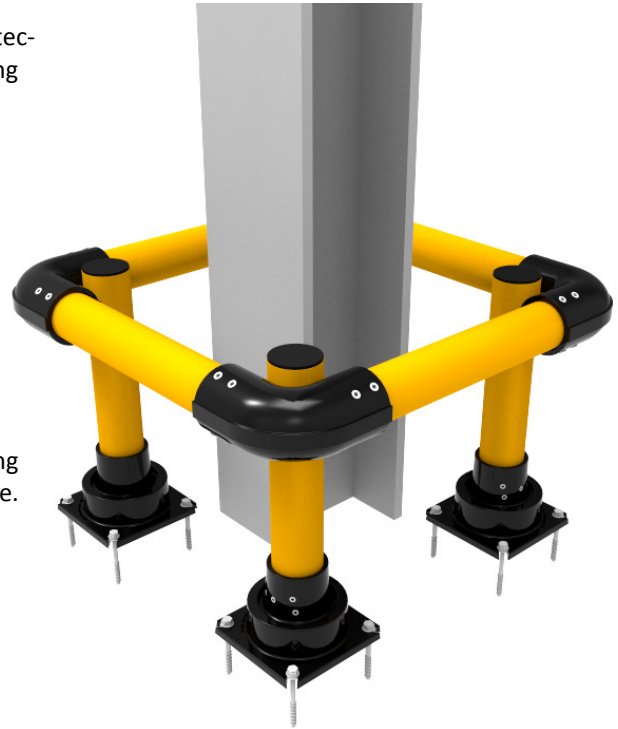
# SlowStop® IronFlex Column Protector Type 2




[www.slowstop.eu](http://www.slowstop.eu)

Four SlowStop® Type 2 Energy Absorbing Bollards interconnected with IronFlex modular elbows to form the best bollard column protection available. Blocks impacts from occurring rather than cushioning impacts to the structure.

- Color: RAL 1023 Traffic Yellow Pipe  
RAL 9005 Black Bases and Elbows
- Height: Typical 600mm
- Temp. Rating: -40° to 70°C
- Pipe Coating: EN-ISO 1461 Galvanized + Polyester Powder Coat
- Base Coating: Environmentally Friendly Water-Based KTL Coating + Polyester Powder Coat. C5I corrosion resistance.



Stopping Power Rating (as shown): 

- 45° Impact: 30.174 Joules
- 90° Impact: 21.333 Joules

Chart shown for 45° impacts.

MASS (KG)	2000	4000	6000	8000	10000	15000	20000	25000	30000	35000	40000
SPEED (KPH)											
3.0	Green	Green	Green	Green	Green	Green	Green	Green	Green	Green	Green
3.5	Green	Green	Green	Green	Green	Green	Green	Green	Green	Yellow	Yellow
4.0	Green	Green	Green	Green	Green	Green	Green	Green	Yellow	Yellow	Yellow
4.5	Green	Green	Green	Green	Green	Green	Yellow	Yellow	Yellow	Yellow	Yellow
5.0	Green	Green	Green	Green	Green	Yellow	Yellow	Yellow	Yellow	Yellow	Yellow
5.5	Green	Green	Green	Green	Yellow	Yellow	Yellow	Yellow	Yellow	Yellow	Yellow
6.0	Green	Green	Green	Yellow	Yellow	Yellow	Yellow	Yellow	Yellow	Yellow	Yellow
6.5	Green	Green	Yellow	Yellow	Yellow	Yellow	Yellow	Yellow	Yellow	Yellow	Yellow
7.0	Green	Yellow	Yellow	Yellow	Yellow	Yellow	Yellow	Yellow	Yellow	Yellow	Yellow
7.5	Green	Yellow	Yellow	Yellow	Yellow	Yellow	Yellow	Yellow	Yellow	Yellow	Yellow
8.0	Green	Yellow	Yellow	Yellow	Yellow	Yellow	Yellow	Yellow	Yellow	Yellow	Yellow
8.5	Green	Yellow	Yellow	Yellow	Yellow	Yellow	Yellow	Yellow	Yellow	Yellow	Yellow
9.0	Green	Yellow	Yellow	Yellow	Yellow	Yellow	Yellow	Yellow	Yellow	Yellow	Yellow
10.0	Green	Yellow	Yellow	Yellow	Yellow	Yellow	Yellow	Yellow	Yellow	Yellow	Yellow

No Damage / Negligible Damage  
Will Stop / Potential Damage to Guard  
Guard is under-sized



4955 Stout Dr. • San Antonio, TX 78219  
 TEL: +1 (210) 736 4477 • FAX: +1 (210) 734 6448  
 Email: [info@slowstop.eu](mailto:info@slowstop.eu)  
[www.slowstop.eu](http://www.slowstop.eu)



QR: Download Spec Sheets  
 ©2019 SlowStop. All rights reserved. 15-NOV-2018